



JELS **TRADING &
ENGINEERING
SERVICES**

WE DON'T JUST BUILD SYSTEMS, WE BUILD LONG-TERM PARTNERSHIPS.

BUSINESS COMPANY PROFILE

📞 **0977 4473765**

✉️ **jelstrading.engineering1@gmail.com**

Lot 7 Adelina 3 Road, Brgy. Sto. Tomas Calaboso, Biñan, Laguna

ABOUT US

JELS Trading and Engineering Services is a proudly Filipino-owned company rooted in a strong foundation of expertise in metal fabrication, tooling, precision machining, civil works, and structural design. Located in Sta. Rosa City, Laguna, with a fully equipped shop in Biñan City, we are committed to delivering reliable and high-quality engineering solutions to meet the ever-evolving needs of the industrial and construction sectors.

Founded by seasoned professionals with years of combined experience, JELS Trading and Engineering Services was built to provide exceptional services that exceed client expectations. We specialize in a broad range of services, including architectural and civil works, electro-mechanical installations, fire safety systems, solar panel installation, machine fabrication and rehabilitation, and more.

Our vision is to be the trusted partner of industries, providing top-tier products and services that are timely, innovative, and cost-efficient. Guided by our mission, we foster strong relationships with our clients by consistently delivering quality workmanship and sustainable solutions that contribute positively to the community.

With a solid portfolio of successful projects and a growing list of satisfied clients such as Leslie Corporation, Foodsphere Inc. (CDO), and Laguna Metts Corporation, JELS continues to build a reputation anchored in integrity, technical excellence, and service reliability.

At JELS, we don't just build systems, we build long-term partnerships.

MISSION & VISION



Vision

To be a perfect partner with our valued customers in providing good quality products and engineering services beyond our capacity and expectations.



Mission

To inspire healthier relationships with our valued customers and communities in delivering our products and services on time, on the highest quality but at the most reasonable cost, build the best product, offer designs while leading the way to harmonious, socially-conscious businesses within the community.

OUR SERVICES

ENGINEERING, DESIGN & CONSTRUCTION

- ARCHITECTURAL DESIGN, CIVIL WORKS, AND LAYOUT PLANNING
- OFFICE FIT-OUT WORKS
- REINSTATEMENT WORKS
- MACHINE LAYOUT PLANNING

MECHANICAL & INDUSTRIAL SERVICES

- MECHANICAL WORKS
- STEEL FABRICATION AND MACHINE PARTS MACHINING
- MACHINING AND TOOLING SERVICES
- MACHINE REBUILDS AND INSTALLATIONS
- AIR-CONDITIONING REPAIR AND MAINTENANCE
- MOTOR REWINDING

ELECTRICAL & AUTOMATION

- ELECTRICAL WORKS
- AUTOMATION SOLUTIONS
- ELECTRO-MECHANICAL WORKS

FIRE & SAFETY SYSTEMS

- FIRE DETECTION AND ALARM SYSTEM (FDAS) DESIGN AND INSTALLATION
- FIRE PROTECTION SYSTEM DESIGN AND INSTALLATION

GLASS & ALUMINUM WORKS

- GLASS AND ALUMINUM SUPPLY AND INSTALLATION

TRADING & SUPPLY

- GENERAL TRADING

OUR PARTNERS

FANUC



YASKAWA



ABB



BORUNTE



KEYENCE

 **MITSUBISHI
ELECTRIC**
Changes for the Better
FACTORY AUTOMATION

 **DELTA**
DELTA ELECTRONICS, INC.

COGNEX

 **WEINTEK**

Schneider
Electric

OUR CLIENTS

ENGINEERING, DESIGN & CONSTRUCTION

- FCC PHILIPPINES CORPORATION
- CHRYSO PHILIPPINES INCORPORATED
- SAINT GOBAIN CORPORATION
- APO HOTEL
- LESLIE CORPORATION

MECHANICAL & INDUSTRIAL SERVICES

- FCC PHILIPPINES CORPORATION
- CHRYSO PHILIPPINES INCORPORATED
- SAINT GOBAIN CORPORATION
- LAGUNA METTS CORPORATION
- LESLIE CORPORATION
- CDO FOODSPHERE INCORPORATED
- SERCOMM PHILIPPINES INCORPORATED

ELECTRICAL & AUTOMATION

- FCC PHILIPPINES CORPORATION
- CHRYSO PHILIPPINES INCORPORATED

FIRE & SAFETY SYSTEMS

- SAINT GOBAIN CORPORATION
- FEAPITSAT

GLASS & ALUMINUM WORKS

- FCC PHILIPPINES CORPORATION
- M2K CONSTRUCTION

TRADING & SUPPLY

- CHRYSO PHILIPPINES INCORPORATED
- SAINT GOBAIN CORPORATION

OUR PROJECTS

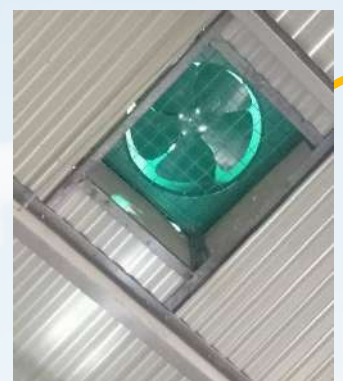
ENGINEERING, DESIGN & CONSTRUCTION



Lot 7 Adelina 3 Road, Brgy. Sto. Tomas Calaboso, Biñan, Laguna

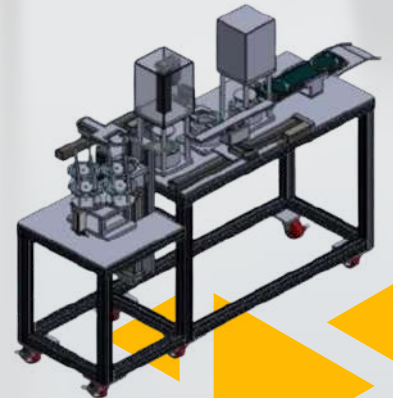
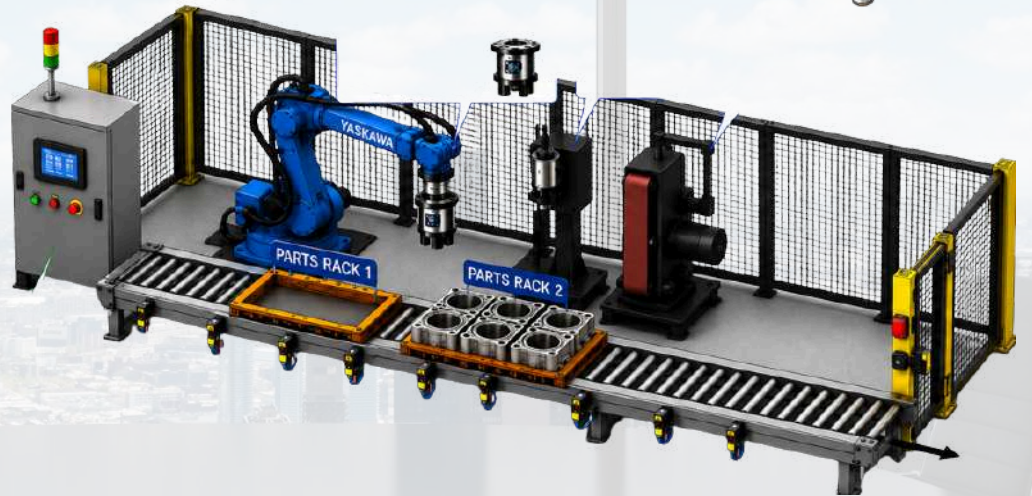
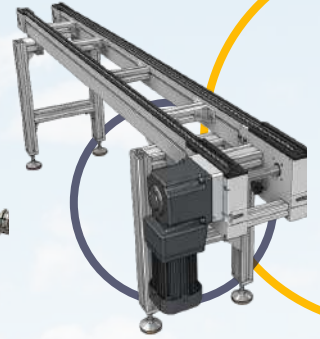
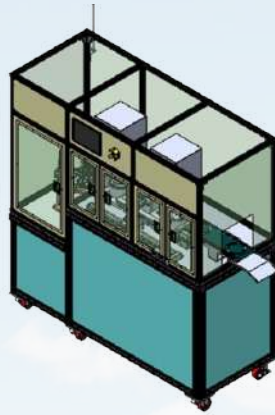
OUR PROJECTS

MECHANICAL & INDUSTRIAL SERVICES



OUR PROJECTS

ELECTRICAL & AUTOMATION



OUR PROJECTS

ELECTRICAL & AUTOMATION



OUR PROJECTS

FIRE & SAFETY SYSTEMS



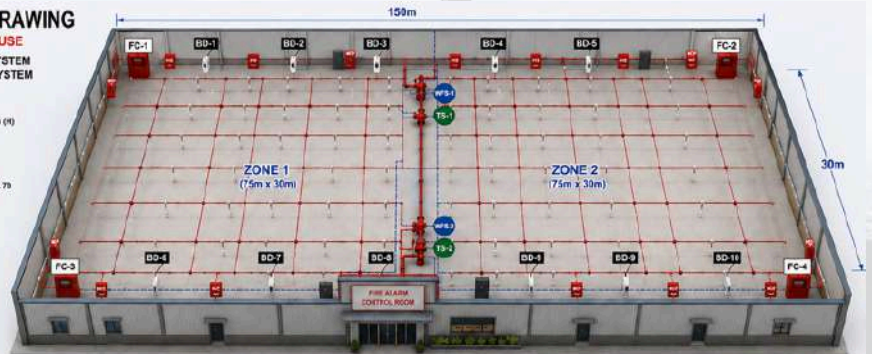
FDAS PLAN – 3D DRAWING

150m x 30m x 10m WAREHOUSE
FIRE DETECTION AND ALARM SYSTEM WITH AUTOMATIC SPRINKLER SYSTEM

PROJECT INFORMATION
 Building Type : Warehouse
 Dimension : 150m (L) x 30m (W) x 10m (H)
 Floor Area : 4,500 sqm
 Fire Alarm System : Addressable
 Sprinkler System : Wet Pipe
 Code Reference : RA 9514, Revised IRR
 NFPA 72, NFPA 13, NFPA 73

LEGEND

	Fire Alarm Control Panel
	Annunciator Panel
	Beam Smoke Detector
	Manual Call Point
	Horn / Strobe
	Fire Cabinet
	Waterflow Switch
	Tamper Switch/Control Valve
	FDAS LOOP (SIGNAL LINE)
	MONITORING LINE
	SPRINKLER PIPE



DEVICE SCHEDULE

ITEM	QTY	ITEM	QTY
FACP (Addressable)	1	Fire Cabinet	4
Annunciator Panel	1	Waterflow Switch	2
Beam Smoke Detector	10	Tamper Switch (Control Valve)	2
Manual Call Point	10	Pump Monitoring Module	1 lot
Horn / Strobe	10	Water Tank Monitoring	1 lot



GENERAL NOTES

- All FDAS devices shall be addressable type.
- FDAS shall monitor all sprinkler system supervisory and alarm devices.
- Maximum travel distance to Manual Call Point shall not exceed 30m.
- All devices installed in accordance with NFPA 72 and BFP requirements.
- This drawing is for general purpose only and not for construction.

PROJECT: FDAS INSTALLATION FOR WAREHOUSE
 LOCATION: _____

DRAWN BY: _____
 CHECKED BY: _____
 DESIGNED BY: _____
 PRICE: _____

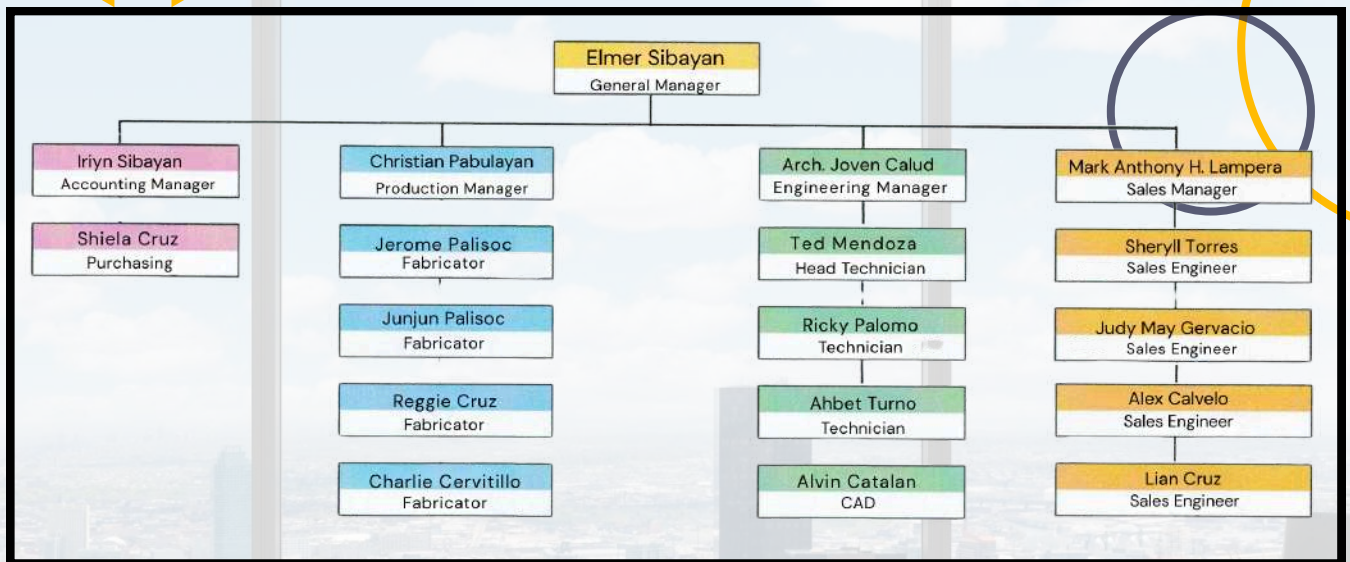
SHEET NO: FB-001
 SCALE: _____
 DATE: NTS

OUR PROJECTS

GLASS & ALUMINUM WORKS



ORGANIZATION CHART



OUR PERMITS

dti
DEPARTMENT OF TRADE AND INDUSTRY

This certifies that

JELS TRADING AND ENGINEERING SERVICES
(NATIONAL)

is a business name registered in the office pursuant to the provisions of Act 3883, as amended by Act 4147 and Republic Act No. 8853, and in compliance with the applicable rules and regulations prescribed by the Department of Trade and Industry. This certificate issued to

CHRISTIAN ORIAN PABULAYAN

is valid from 02 March 2023 to 02 March 2024, subject to continuing compliance with the above mentioned laws and all applicable laws of the Philippines, unless voluntarily cancelled.

In testimony whereof, I hereby sign this

Certificate of Business Name Registration

and issue the same on 02 March 2023 in the Philippines.

Alfredo E. Pascual
ALFREDO E. PASCUAL
Secretary

Business Name No. 4743746

This certificate is not a license to engage in any kind of business and valid only at the scope indicated herein.



AJCA76254547167

Secretary: Stang Tin Fax: 02-8338 3338

ACCOUNT NO. **P-92029** PROVINCE OF LAGUNA
BUSINESS PERMIT AND LICENSE OFFICE
CITY OF SANTA ROSA

ORIGINAL COPY BUSINESS PERMIT NO. **10596-25**

NEW RENEWAL ADDITIONAL TRANSFER CANCELS/LOCAL DATE OF APPLICATION **June 11, 2025**

BUSINESS NAME: JELS TRADING AND ENGINEERING SERVICES

BUSINESS ADDRESS: BLK 18 LOT 4 PHASE 2E, MARULUWAY HOMES 2000, DLA

NAME OF PROPRIETOR: PABULAYAN, CHRISTIAN ORIAN

ADDRESS: TUMBAGA I, BARAYA QUEZON

NUMBER OF EMPLOYEES	AREA (SQ.M)	BOOK SALES (PREVIOUS YEAR)	GROSS SALES (LAST YEAR)	CAPITALIZATION
1	A	0	0	0

FORM OF ORGANIZATION: Single Proprietorship

OTHER INFORMATION:

TRADING UNIT	ISSUANCE NO.	SEC. REG. NO.	EXPIRES	COMPONENT TAX NO.	DATE ISSUED	PLACE OF ISSUE	AMOUNT PAID
0513407	01022020				06/18/2020	CITY OF SANTA ROSA	0.00

MODE OF PAYMENT: ANNUAL BUSINESS TAXES & FEES PAID FOR THIS YEAR

BUSINESS LICENSE TAX YEAR (P. 25)	REGISTRATION FEE	ANNUAL BUSINESS TAX	REGISTRATION FEE	ANNUAL BUSINESS TAX
0	0.00	0.00	0.00	0.00

BUSINESS TAXES FEES:

CITY REGISTRATION FEE	1,200.00
MUNICIPALITY	50.00
SANITARY FEE	50.00
DEPARTMENT OF C-REGISTER FEE	250.00
BRANDED SIGN	1,500.00
REGISTRATION FEE	0.00
BUSINESS TAXES & REGISTRATION	0.00
LANDSCAPE	0.00
TIME INFORMATION FEE	10,500.00
LEFT EMPLOYER-CONSTRUCTION FEE	1,500.00
OTHER	0.00
REMARKS:	16,800.00

ISSUED BY: ALFREDO E. PASCUAL, ADMN ASSISTANT IV

BIR FORM 2303
REVISED: APRIL 2015

REPUBLIKA NG PILIPINAS
KAGAWARAN NG PANANALAPI
KAWANGYARAN NG BENTENG INFERNALIS
REVENUE REGION NO. 09 - LAGUNA/BIÑAN-LAGUNA-QUEZON/MARINQUIQUE
REVENUE DISTRICT OFFICE NO. 357 - BIÑAN, WEST LAGUNA

OCN: 0376C2023000002490
Date OCN Generated: March 8, 2023

CERTIFICATE OF REGISTRATION

TIN & BRANCH CODE	NAME OF TAXPAYER	TIN ISSUANCE DATE
490-09-042-0000	PABULAYAN, CHRISTIAN ORIAN	April 26, 2015

REGISTERED ADDRESS: BLK 18 LOT 4 PHASE 2E, MARULUWAY HOMES 2000, DLA, 4008 CITY OF SANTA ROSA, LAGUNA, PHILIPPINES

TAX TYPES	FORM TYPES	FILING START DATE	FILING FREQUENCY	FILING DUE DATE
INDIVIDUAL INCOME TAX	1101Q	February 28, 2018	QUARTERLY	1st Quarter on or before MAY 10 2nd Quarter on or before AUGUST 15 3rd Quarter on or before NOVEMBER 15 4th Quarter on or before FEBRUARY 15
INDIVIDUAL INCOME TAX	1101IT	January 1, 2018	ANNUALLY	On or before APRIL 15 of each succeeding month for the preceding taxable year.
REGISTRATION FEE	0609	February 28, 2018	ANNUALLY	On or before the last day of January.
VALUE ADDED TAX	2305Q	February 29, 2018	QUARTERLY	Not later than the 20th day following the close of each taxable quarter.
WITHHOLDING TAX-EXPANDED OTHERS	1804E	February 29, 2018	ANNUALLY	On or before March 15 of the year following the calendar year in which the income payments subject to expanded withholding taxes or services from which withholding taxes were being collected.
WITHHOLDING TAX-EXPANDED OTHERS	0879E	February 28, 2018	MONTHLY	On or before the 15th day of the month following the month in which withholding was made.
WITHHOLDING TAX-EXPANDED OTHERS	1801EQ	February 28, 2018	QUARTERLY	Not later than the last day of the month following the close of the quarter during which withholding was made.

TAXPAYER TYPE: SINGLE PROPRIETOR (085-SP-ONLY RESIDENT) (CITIZEN)

BUSINESS INFORMATION DETAILS	CATEGORY	REGISTRATION DATE
TRADE NAME: JELS TRADING AND ENGINEERING SERVICES		February 28, 2018
IFSC: RETAIL SALE OF OTHER GOODS IN SPECIALIZED STORES, N.E.C.	Primary	
Line of Business: RETAIL SALE OF OTHER GOODS IN SPECIALIZED STORES, N.E.C.	Secondary	
IFSC: TRADE, RECREATIONAL, AND OTHER ENGINEERING ACTIVITIES	Secondary	

BIR FORM 2303
REVISED: APRIL 2015

REPUBLIKA NG PILIPINAS
KAGAWARAN NG PANANALAPI
KAWANGYARAN NG BENTENG INFERNALIS
REVENUE REGION NO. 09 - LAGUNA/BIÑAN-LAGUNA-QUEZON/MARINQUIQUE
REVENUE DISTRICT OFFICE NO. 357 - BIÑAN, WEST LAGUNA

OCN: 0376C2023000002490
Date OCN Generated: March 8, 2023

CERTIFICATE OF REGISTRATION

TIN & BRANCH CODE	NAME OF TAXPAYER	TIN ISSUANCE DATE
490-09-042-0000	PABULAYAN, CHRISTIAN ORIAN	April 26, 2015

REGISTERED ADDRESS: BLK 18 LOT 4 PHASE 2E, MARULUWAY HOMES 2000, DLA, 4008 CITY OF SANTA ROSA, LAGUNA, PHILIPPINES

ACTIVITIES AND RELATED TECHNICAL CONSULTANCY

REMARKS:

- An annual registration fee shall be paid upon registration and every year thereafter on or before the last day of January, using BIR Form No. 0285.
- Filing of required tax returns to conform with the above tax types, whether with or without business registration, to avoid penalties.
- For new business registrants, application for registration of manual Books of Accounts (BAC) shall be within the deadline for filing of the third quarterly income tax return or annual income tax return whichever comes earlier from the date of registration. Registration of new set of manual BACs shall be before to use.
- Immediate return the district office in case of transfer/cancellation of business and other changes in registration information by filing BIR Form No. 1004.
- For Self-Employed Individuals (SEI) whose gross sales receipts and other non-operating income does not exceed P3,000,000 (three million pesos) or 25% of the filer's income tax base, the tax non-Percentage Tax (PT) shall not be attached in the Certificate of Registration (COR), however, at the end of each taxable year, each SEI shall be automatically subjected to graduated income tax rates and required to file quarterly percentage tax return (DOR Form No. 2315Q) and upon to replace its COR to reflect "PT" unless qualified and opted to avail of the 3% monthly tax rate, annually.

I hereby certify that the above named person is registered as indicated above, under the provision of the National Internal Revenue Code, as amended.

ALFREDO E. PASCUAL
REVENUE DISTRICT OFFICER
(Signature over Printed Name)

THIS CERTIFICATE MUST BE EXHIBITED CONSPICUOUSLY IN THE PLACE OF BUSINESS.